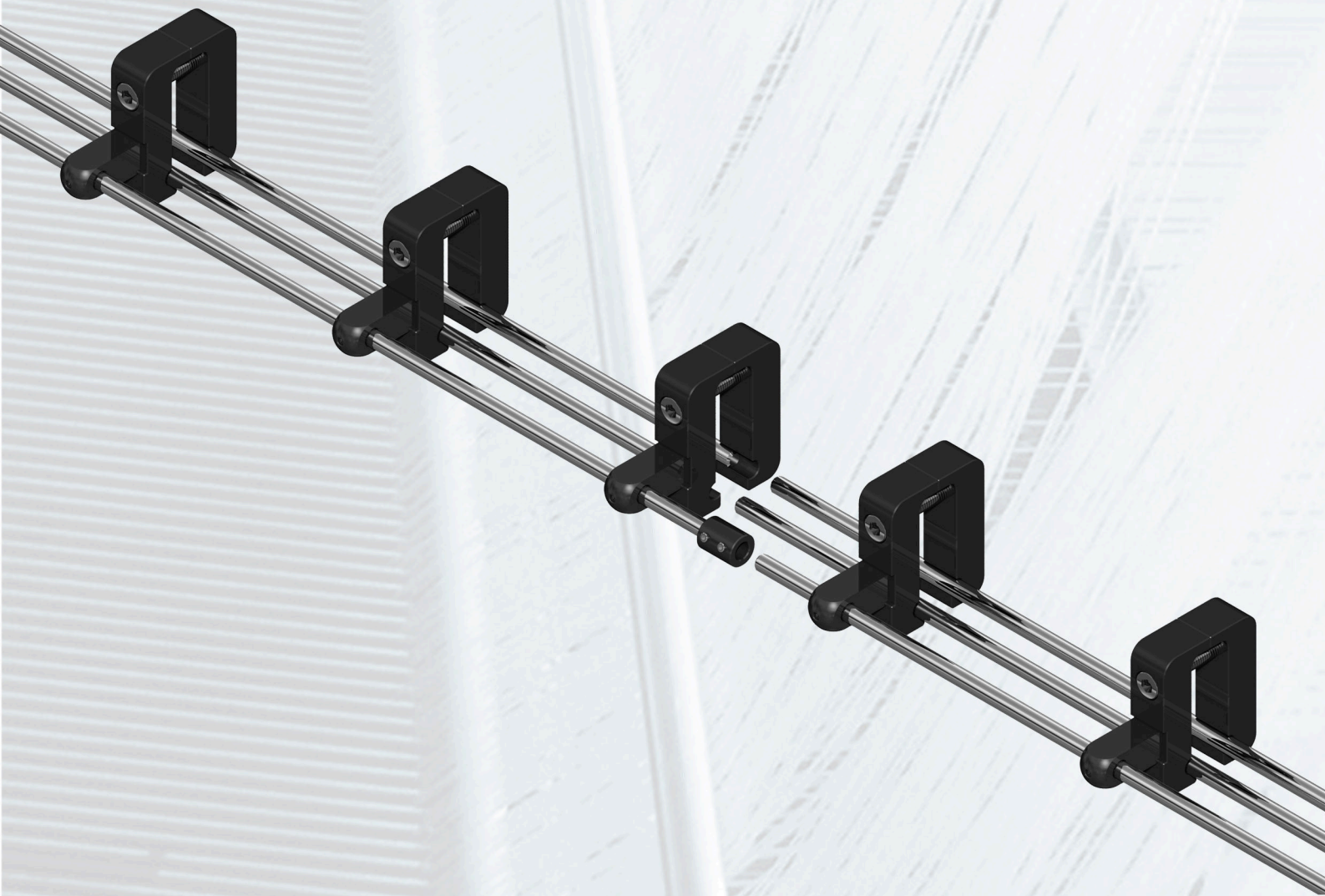


Solutions for Perfection from Marin Industrietechnik

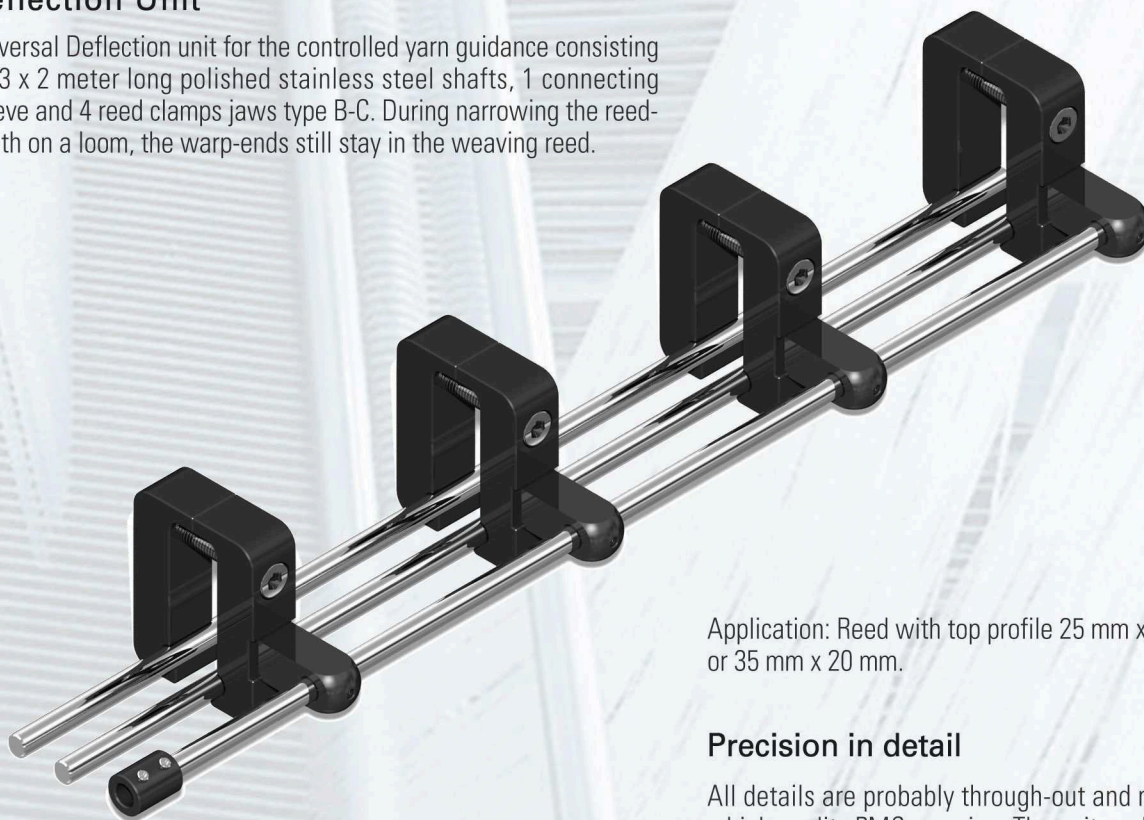
Warp Deflection Unit & Reed Clamps

- *Increasing productivity due to time saving*
- *Universally use - In sections or over the whole reed width*
 - *Protect reed, warp and harnesses*
- *Especially designed for heavy weight weaving*



Deflection Unit

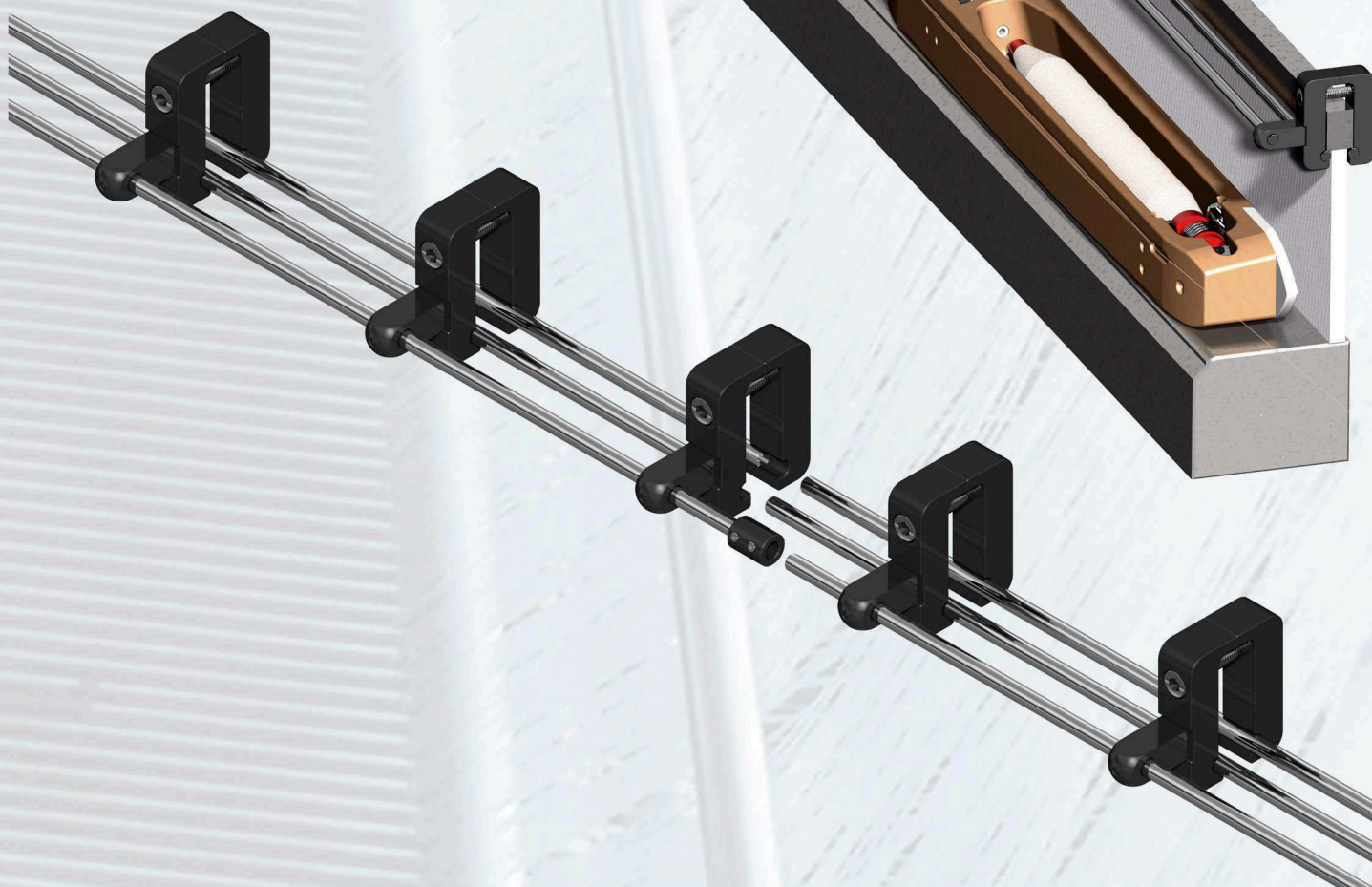
Universal Deflection unit for the controlled yarn guidance consisting of: 3 x 2 meter long polished stainless steel shafts, 1 connecting sleeve and 4 reed clamps jaws type B-C. During narrowing the reed-width on a loom, the warp-ends still stay in the weaving reed.



Application: Reed with top profile 25 mm x 20 mm, 30 mm x 20 mm or 35 mm x 20 mm.

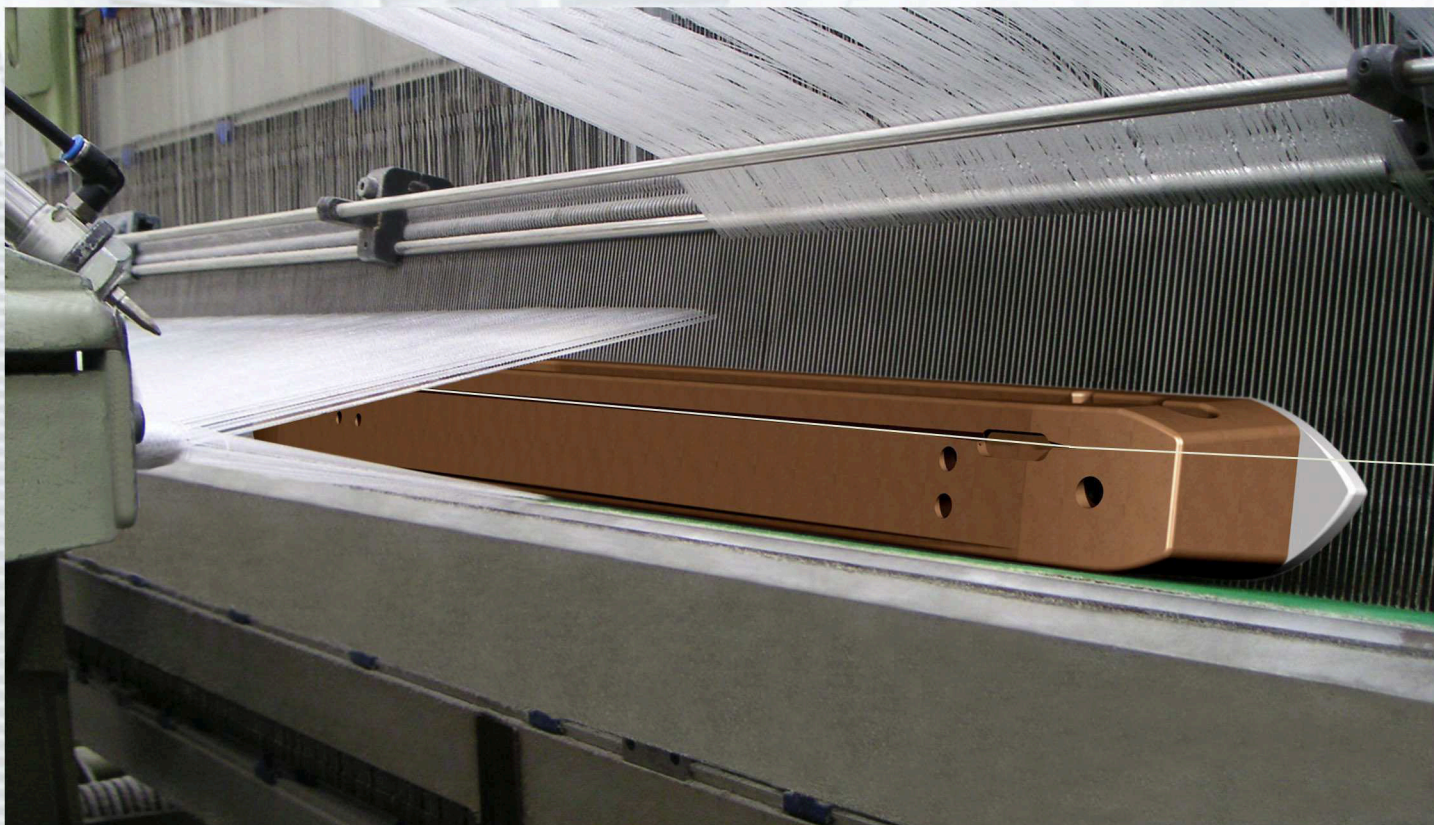
Precision in detail

All details are probably through-out and meet exactly the need of a high quality PMC weaving. The unit could be extended regarding the need.



Especially designed for heavy weight weaving looms

This universal deflection unit was designed especially for the use at the heavy weight weaving looms to ensure a safe deflection of the remaining warp ends.



Modular construction

The modular construction of the deflection unit enables a universal use combined with cost-saving. It could be adapted to the different situations at the looms.



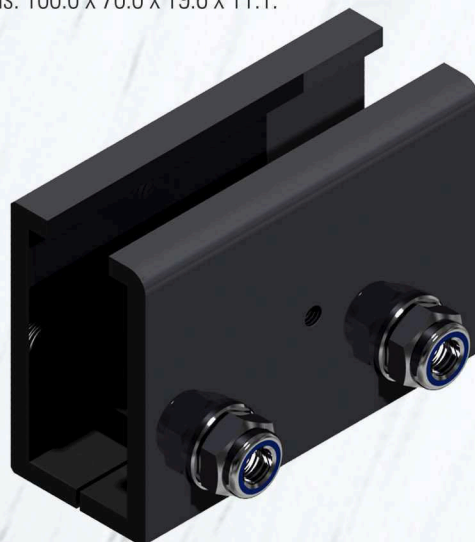
Reed clamp type A

Burnished reed clamp type A made of material ST37.
Dimensions: 100.0 x 60.0 x 12.0 x 8.5.



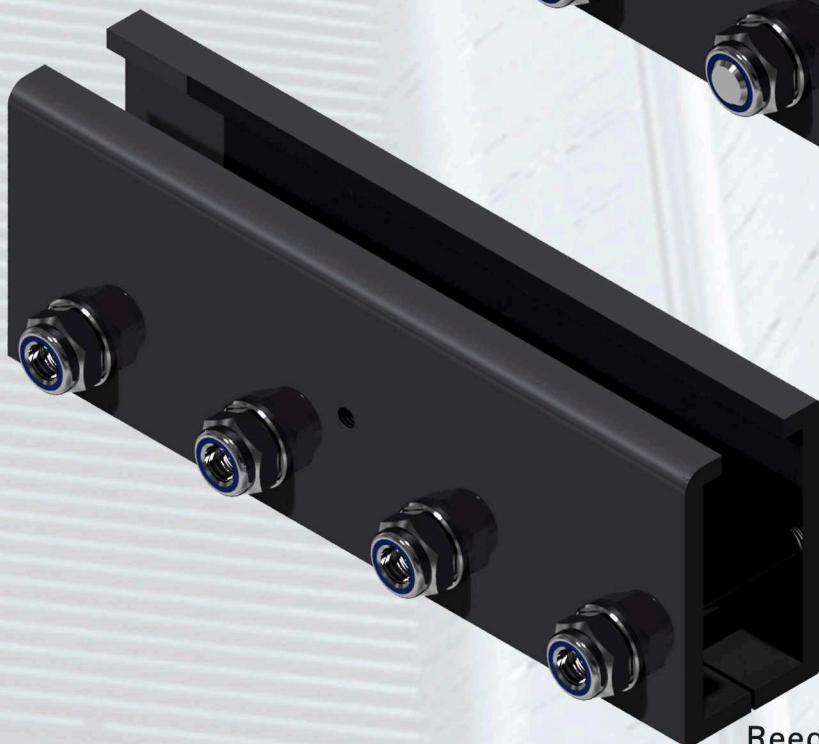
Reed clamp type B

Burnished reed clamp type B made of material ST37.
Dimensions: 100.0 x 70.0 x 19.6 x 11.1.



Reed clamp type C

Burnished reed clamp type C made of material ST37.
Dimensions: 200.0 x 60.0 x 12.0 x 8.5.

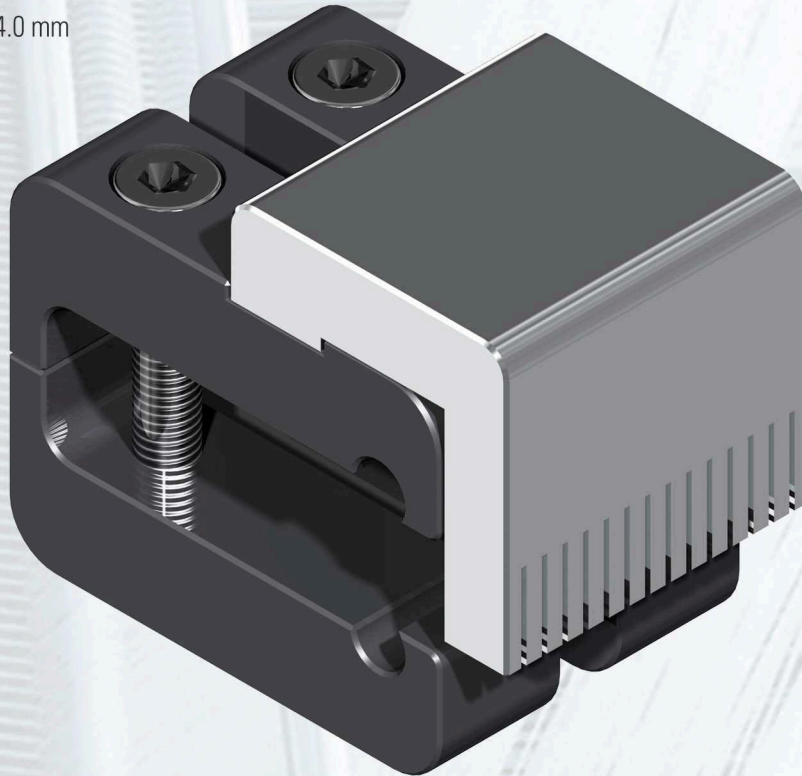


Reed clamp type D

Burnished reed clamp type D made of material ST37.
Dimensions: 200.0 x 70.0 x 19.6 x 11.1.

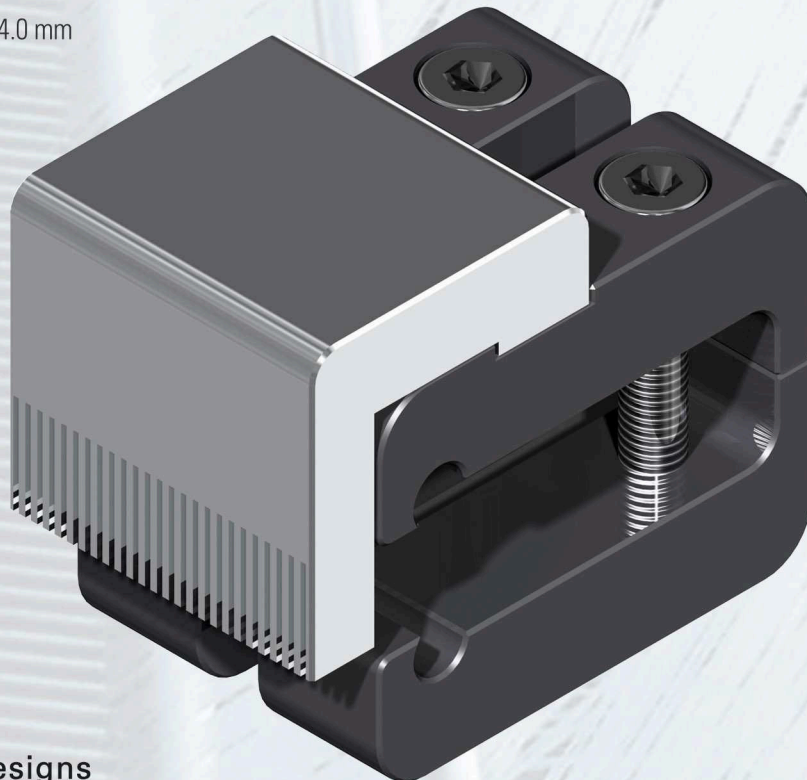
Repair kit type 30

Repair kit type 30 for the regulation of damaged reeds, consisting of 15 paths and 2 reed clamp jaws.
Contour: 0.85 x 14.0 mm
Path dimension: 2.483 mm x 14.0 mm
Pitch: 3.333 mm



Repair kit type 52

Repair kit type 52 for the regulation of damaged reeds, consisting of 26 paths and 2 reed clamp jaws.
Contour: 0.85 x 14.0 mm
Path dimension: 1.073 mm x 14.0 mm
Pitch: 1.923 mm



Special repair kit designs

Special designs are manufactured to customers' requirements.

Reed clamps with yarn holder

Different versions of reed clamps with yarn holder are available on request. Ensures at narrow fabrics that the filling yarn stays on the slay and reduce the risk of loop or knot building during the turning back of the filling yarn. For reeds with and without wooden covers.



For reeds equipped with deflection unit



For reeds with reed cover



MARIN
Industrietechnik

Lechstrasse 2
73529 Schwaebisch Gmuend
Germany

fon: + 49 (0) 7171 98 90 52
fax: + 49 (0) 7171 98 90 53

email: info@marin-technik.de
home: www.marin-technik.de