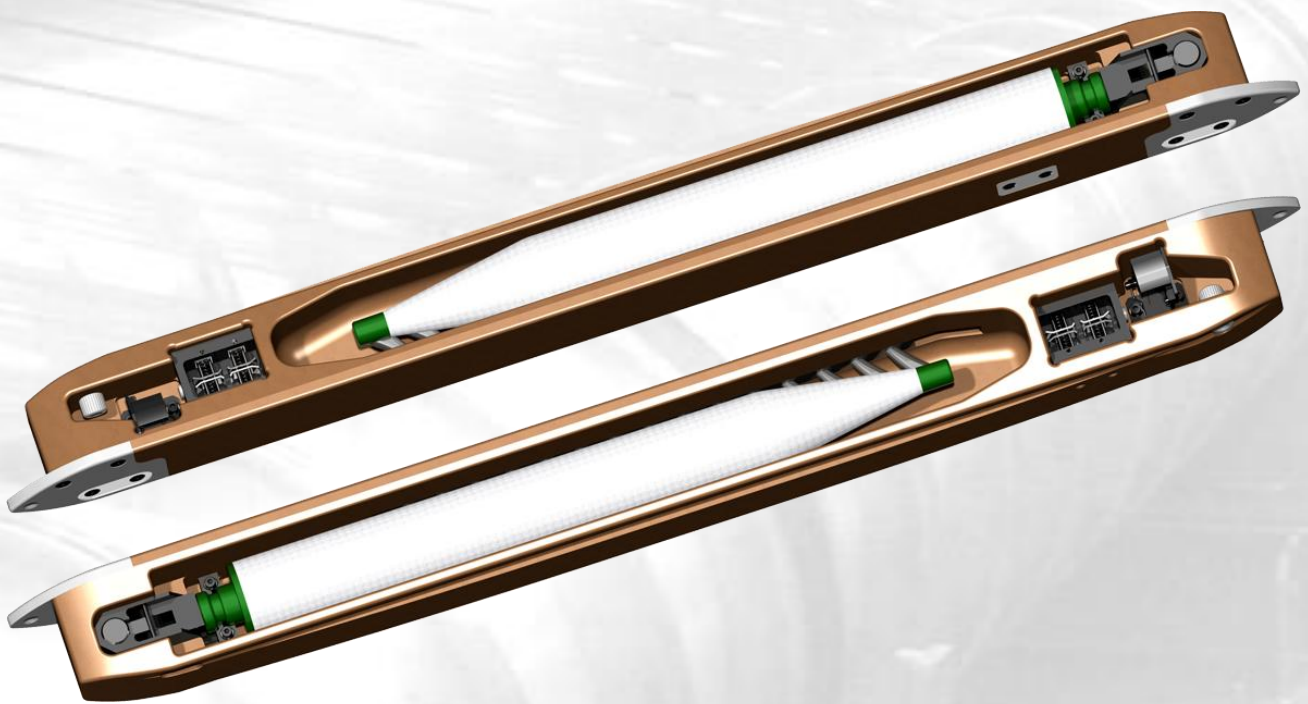


## Heavy Weight Weaving Shuttles DRKL-RGI-N1

- *10-15 % Higher productivity utilization*
- *Cost reduction due to long life materials*
- *Cost saving due to modular construction*
- *No weaving marks on the fabric*



## Weaving Shuttles Type DRKL-RGI-N1

High-Tec Shuttle type DRKL-RGI-N1 with polished sliding skids and full equipment. Application: At Weaving looms with hydraulic picking units and robot pin changing. For pirns with a short end shape without steel rings and a max. length of 500 mm.



### Full equipment:

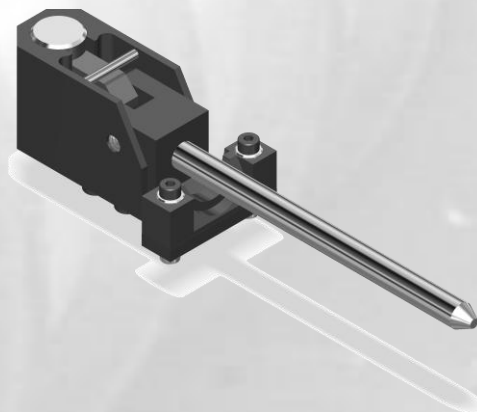
2 Ceramic eyelets, 1 Shuttle nose type ARL, 1 Shuttle nose type ARR, 2 Sensor plates type A, 1 Sensor plate type D, 1 Yarn cutter type A, 1 Filling brake type BR, 1 Special brush strip 350 mm will be integrated customer-specific and all needed screwing connections.

### Shuttle dimensions:

860/800 x 80 x 67/50 mm

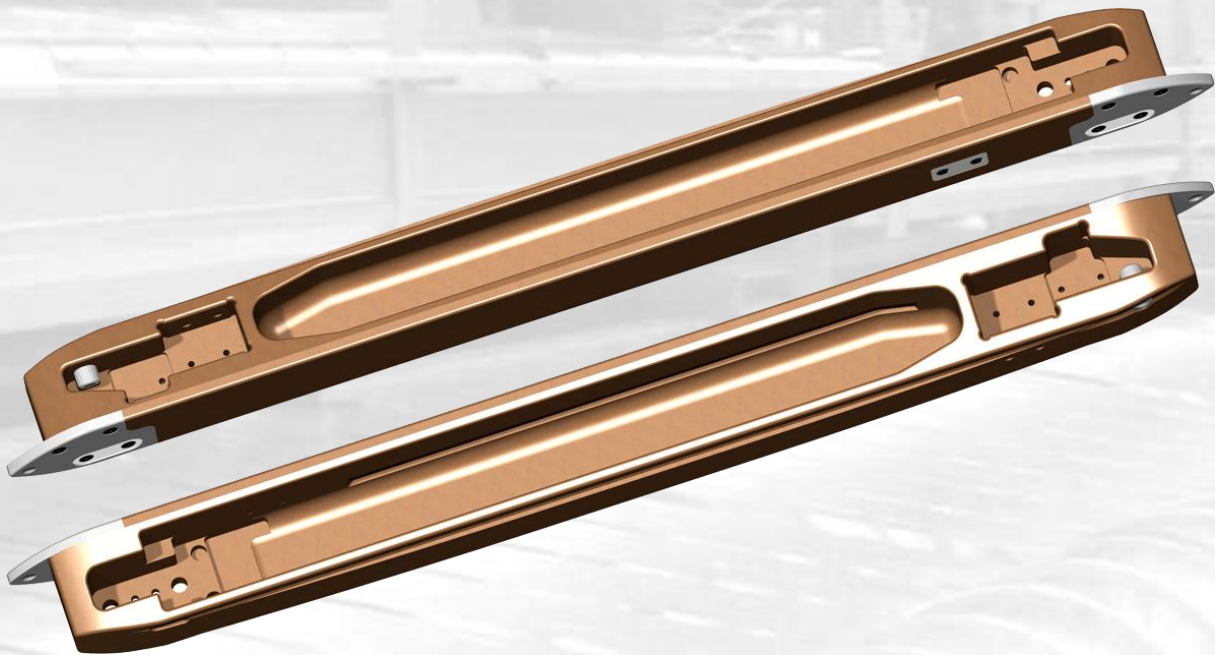
### RGI Pirn Ejector:

The complete pirn ejector is not part of the shuttle equipment and must be requested and obtained pirn specific by the customer at R.G.I. Industrial Products Inc. in Canada.



## Weaving Shuttles Type DRGL-RGI-N1

High-Tec Shuttle type DRGL-RGI-N1 on the highest precision level with basic equipment.



### Basic equipment:

2 Ceramic eyelets, 1 Shuttle nose type ARL, 1 Shuttle nose type ARR, 2 Sensor plates type A, 1 Sensor plates type D and all needed screwing connections at basic equipment. 1 Special brush strip 350 mm can be integrated customer-specific.

### Shuttle dimensions:

860/800 x 80 x 67/50 mm



Lechstrasse 2  
73529 Schwaebisch Gmuend  
Germany

fon : +49 (0)7171 98 90 52  
fax : +49 (0)7171 98 90 53

email : [marin@marin-technik.de](mailto:marin@marin-technik.de)  
web: [www.marin-technik.de](http://www.marin-technik.de)